

EXCEL[®]

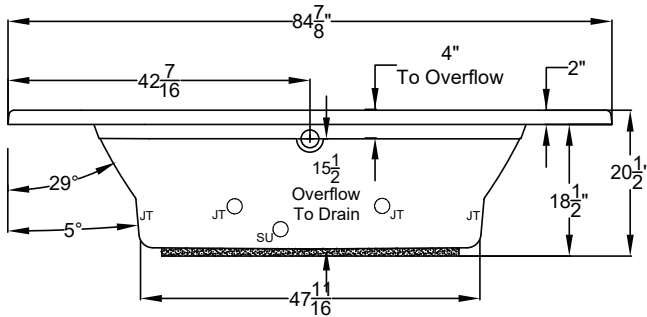
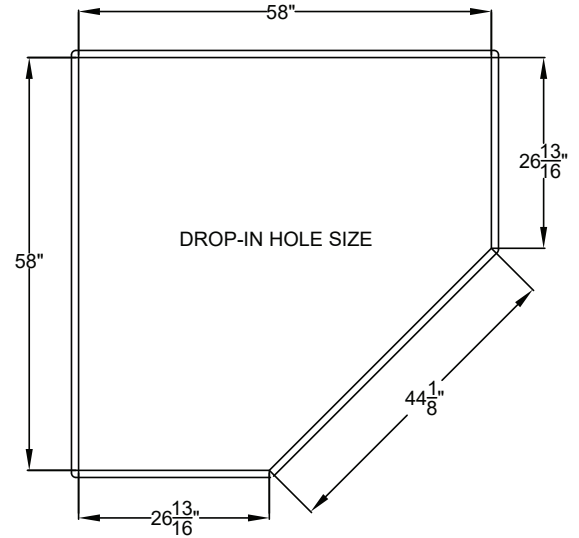
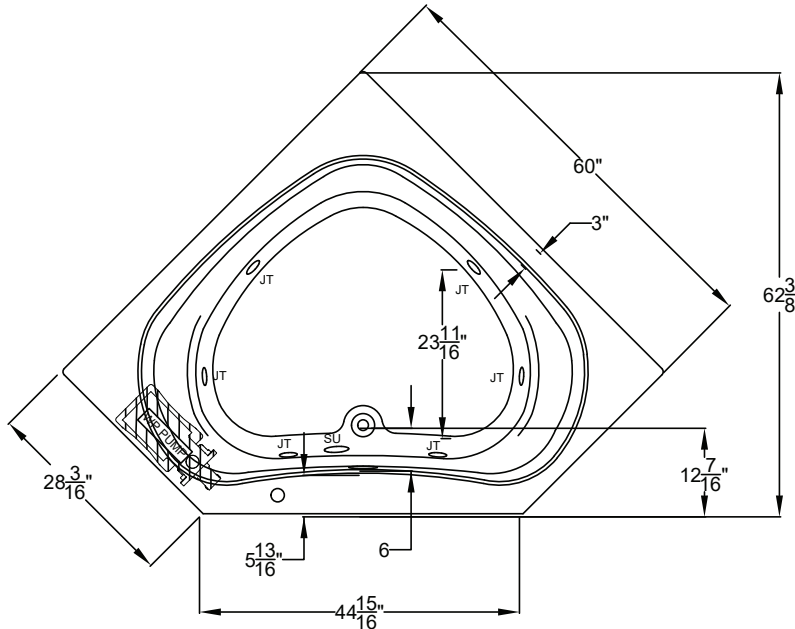
BY JASON[®]

8328 MacArthur Drive • North Little Rock, AR 72118-2199
 501.771.4477 • Fax: 501.771.2333
 Customer Service: 800.255.5766
 EMail: tech@jasonhydrotherapy.com
 www.jasonhydrotherapy.com

Excel[™] Series Specifications

JAC6060

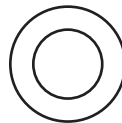
Whirlpool & Soaking



Patents received or pending.

Note: Dimensional Tolerances: ±1/4"

Drop-in-Hole Size:	See Diagram
Operating Capacity:	54 Gal.
Overflow Capacity:	87 Gal.
Floor Loading / sq.ft.:	42.5/40.5 lbs.
Carton Weight:	133/98 lbs.
Cube:	50.9 ft. ³



Includes a quiet, 120v, 1HP, 1-speed pump and an air switch on/off control. Requires (1) 20A, 120v GFCI protected circuit.

Construction: Reinforced Acrylic shell mounted on pre-leveled full support base.

We provide products listed with Intertek ETL SEMKO (Edison Testing Laboratories) U.S. and Canadian and with International Association of Plumbing and Mechanical Officials (IAPMO). Consult factory with your listing requirements.