

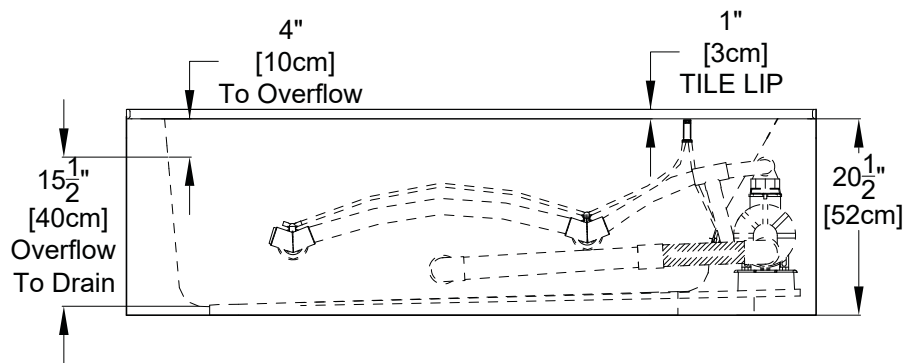
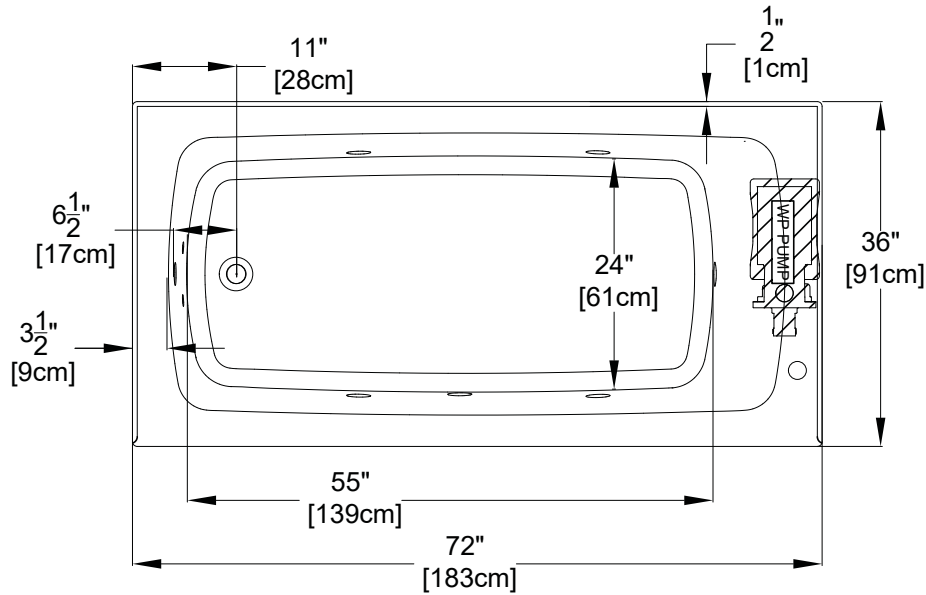
EXCEL[®]

BY JASON[®]

8328 MacArthur Drive
North Little Rock, AR 72118-2199
501.771.4477 • Fax: 501.771.2333
Customer Service: 800.255.5766
www.jasoninternational.com

Excel™ Series Specifications

Whirlpool & Soaking - JAK3672 SL/SR



Note: Control Air Switch will be located on bather's left.

Patents received or pending.

Note: Dimensional Tolerances: ±1/4"

Drop-in-Hole Size:	N/A
Operating Capacity:	50 Gal.
Overflow Capacity:	84 Gal.
Floor Loading/sq.ft.	
(WP/Soaking):	49.3 / 46.7 lbs.
Carton Wt. (WP/Soaking):	144 / 106 lbs.
Cube:	37.3 ft. ³

Air Switch Control		<p>Includes a quiet, 120v, 1HP, 1-speed pump and an air switch on/off control. Requires (1) 20A, 120v GFCI protected circuit.</p>
--------------------	--	---

Construction: Reinforced Acrylic shell mounted on pre-leveled full support base.

We provide products listed with Intertek ETL SEMKO (Edison Testing Laboratories) U.S. and Canadian and with International Association of Plumbing and Mechanical Officials (IAPMO). Consult factory with your listing requirements.