

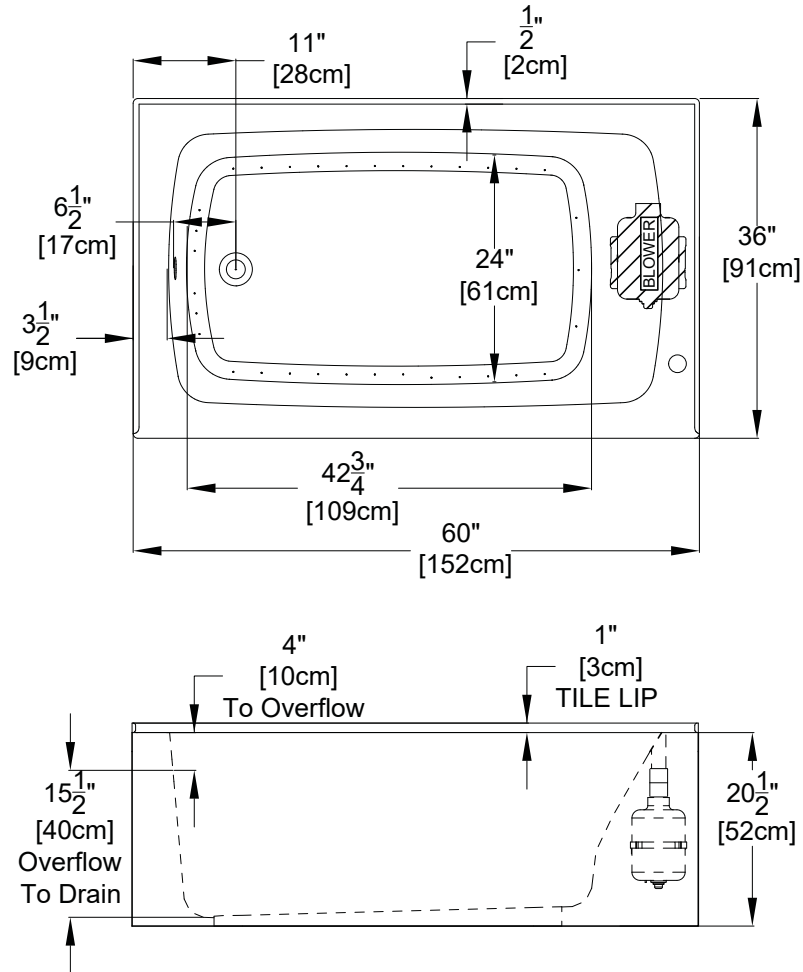
EXCEL[®]

BY JASON[®]

8328 MacArthur Drive
North Little Rock, AR 72118-2199
501.771.4477 • Fax: 501.771.2333
Customer Service: 800.255.5766
www.jasoninternational.com

Excel™ Series Specifications

Air Bath - JAK3660 SL/SR



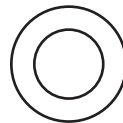
Note: Control Air Switch will be located on bather's left.

Patents received or pending.

Note: Dimensional Tolerances: $\pm 1/4"$

Drop-in-Hole Size:	N/A
Operating Capacity:	40 Gal.
Overflow Capacity:	66 Gal.
Floor Loading / sq.ft.:	51.4 lbs.
Carton Weight:	134 lbs.
Cube:	31.3 ft. ³

Air Switch
Control



Includes a quiet, 120v, 3/4HP, variable speed air blower with an integral air heater, 20-minute timer and automatic purge cycle. Air switch operates the on/off and speed functions of the blower. Requires (1) 15A, 120v GFCI protected circuit.

Construction: Reinforced Acrylic shell mounted on pre-leveled full support base.

We provide products listed with Intertek ETL SEMKO (Edison Testing Laboratories) U.S. and Canadian and with International Association of Plumbing and Mechanical Officials (IAPMO). Consult factory with your listing requirements.