

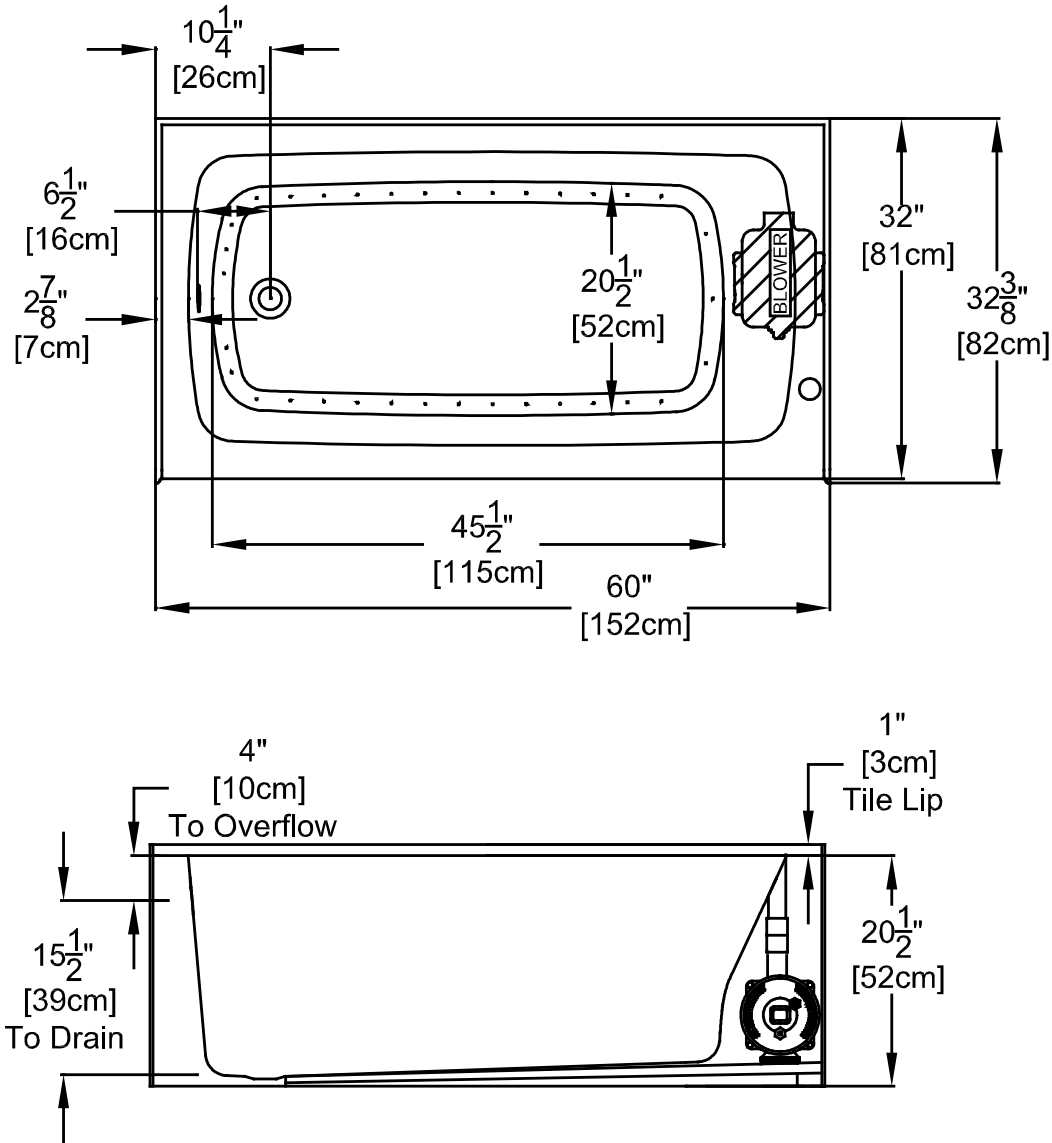
# EXCEL™

BY JASON®

8328 MacArthur Drive  
 North Little Rock, AR 72118-2199  
 501.771.4477 • Fax: 501.771.2333  
 Customer Service: 800.255.5766  
 www.jasoninternational.com

## Excel™ Series Specifications

### Air Bath - JAK3260 SL/SR

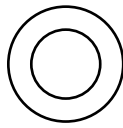


Patents received or pending.

Note: Dimensional Tolerances: ±1/4"

<b>Drop-in-Hole Size:</b>	N/A
<b>Operating Capacity:</b>	39 Gal.
<b>Overflow Capacity:</b>	62 Gal.
<b>Floor Loading / sq.ft.:</b>	56.9 lbs.
<b>Carton Weight:</b>	132 lbs.
<b>Cube:</b>	28.1 ft. <sup>3</sup>

Air Switch Control



Includes a quiet, 120v, 3/4HP, variable speed air blower with an integral air heater, 20-minute timer and automatic purge cycle. Air switch operates the on/off and speed functions of the blower. Requires (1) 15A, 120v GFCI protected circuit.

**Construction:** Reinforced Acrylic shell mounted on pre-leveled full support base.

*We provide products listed with Intertek ETL SEMKO (Edison Testing Laboratories) U.S. and Canadian and with International Association of Plumbing and Mechanical Officials (IAPMO). Consult factory with your listing requirements.*