

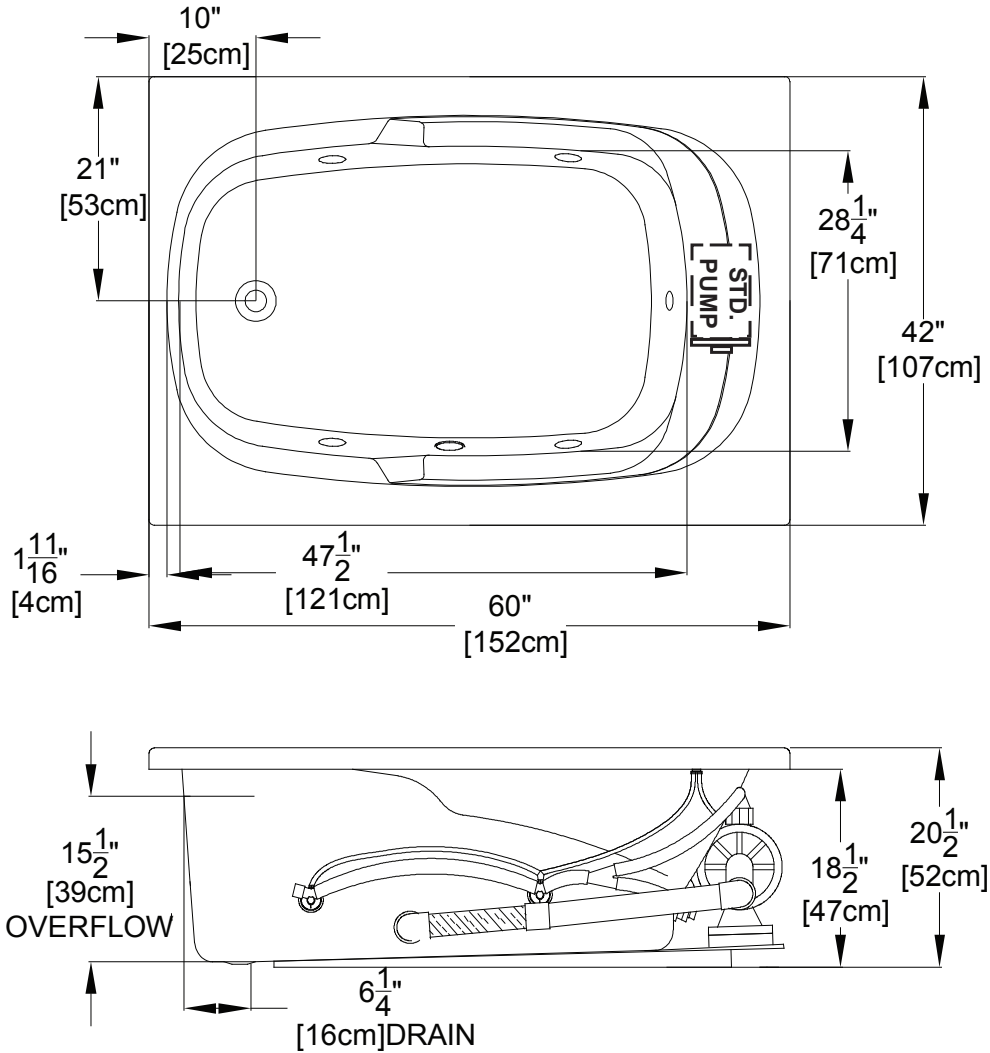
# EXCEL™

BY JASON®

8328 MacArthur Drive  
 North Little Rock, AR 72118-2199  
 501.771.4477 • Fax: 501.771.2333  
 Customer Service: 800.255.5766  
 www.jasoninternational.com

## Excel™ Series Specifications

### Whirlpool & Soaking - JAB4260




Patents received or pending.

Note: Dimensional Tolerances: ±1/4"

- Drop-in-Hole Size:** 40" x 58"
- Operating Capacity:** 44 Gal.
- Overflow Capacity:** 65 Gal.
- Floor Loading / sq.ft.:** 45.1/42.6 lbs.
- Carton Wt.:** 115/80 lbs.
- Cube:** 36.2 ft.<sup>3</sup>

Air Switch Control



Includes a quiet, 120v, 1HP, 1-speed pump and an air switch on/off control. Requires (1) 20A, 120v GFCI protected circuit.

**Construction:** Reinforced Acrylic shell mounted on pre-leveled full support base.

*We provide products listed with Intertek ETL SEMKO (Edison Testing Laboratories) U.S. and Canadian and with International Association of Plumbing and Mechanical Officials (IAPMO). Consult factory with your listing requirements.*